



Storm Window Index

Premium
Exterior storm window features increased durability and ultimate thermal protection.



Performance
Exterior storm window offers more standard features than other storm windows on the market.



insider™
Interior storm window installs on the inside of existing windows.



Sidelite
Installs over existing sidelites to add an extra layer of protection.



SERIES	DESCRIPTION	MODEL	PAGE
Premium <i>(formerly Gold Series)</i>	2 Track Double Hung	L203 / L203E	6
	2 Track Slider	L603 / L603E	7
	Picture Window	L503 / L503E	8
	Picture / Slider	L623 / L623E	9
Performance <i>(formerly Bronze Series)</i>	2 Track Double Hung	L201 / L201E	11
	3 Track Double Hung	L301 / L301E	11
	Picture Window	L501 / L501E	12
insider™	Interior Commercial Storm Window	I900C	14
	Interior Storm Window	I900 / I900E	15
Sidelite	Decorative SideLite Storm Panel	L705	16
	SideLite Storm Panel	L703	17
SecurePRO™	Security Storm Window	L92	Look for the red SecurePRO™ tab in the catalog
	Security Screen Window	L91	



CHOOSE LOW-E GLASS FOR MORE SAVINGS

- Up to 29% better insulating value
- Warmer in the winter
- Cooler in the summer
- Protects floors and furniture from UV rays



Insulating STORM WINDOWS

- Quick install over existing windows
- Less cost than replacement windows
- Performs similar to full window replacement



Premium L203

Premium Series Exterior Windows

Low-E Glass	Cuts energy loss by up to 60%* year round, saving up to \$35 per window annually
Double weatherstripping on both sides of sash	Air infiltration as low as 0.14 cfm/ft; over 4x the rate of our Performance windows
Pocketed head, jamb and sill	An exceptionally tight fit; eliminates the need for stabilizer bar and bow guides
Interlocking top and bottom sash	Adds stability and prevents bowing
Butt-joint corners and tubular frame design	Designed and built to withstand winds up to 90 mph
Operating window sash locks in place	Provides added security
AAMA Certified**	Assures quality construction and performance

Available Models

- Double Hung Window
- Slider Window
- Picture Window
- Picture/Slider Window

Excellent for 3-season rooms and porch enclosures



Performance L201

Performance Series Exterior Windows

Low-E Glass	Cuts energy loss by up to 60%* year round, saving up to \$35 per window annually
Woolpile weatherstripping	Adds thermal barrier and protects against air infiltration
Bottom expander	Perfect fit for uneven sills
Notched masterframe window	Sashes remove for easy cleaning

Available Models

- Two-Track Double Hung
- Three-Track Double Hung
- Picture Window



* Results based on independent lab testing of Low-E window when applied over wood double-hung single glazed window. Actual energy savings may vary.

** Double Hung with half screen, up to 42" x 73", non flush mount applications



Insulating STORM WINDOWS

Ordering Information

Storm window sizes are determined by measuring your existing window opening as shown below. Record opening width (A) first and opening height (B) second. Round down to the nearest 1/8".

LARSON® windows can be installed Blindstop (inside mount) or Overlap (outside mount) as shown to the right, or you can have the windows made to the exact tip-to-tip measurement desired.

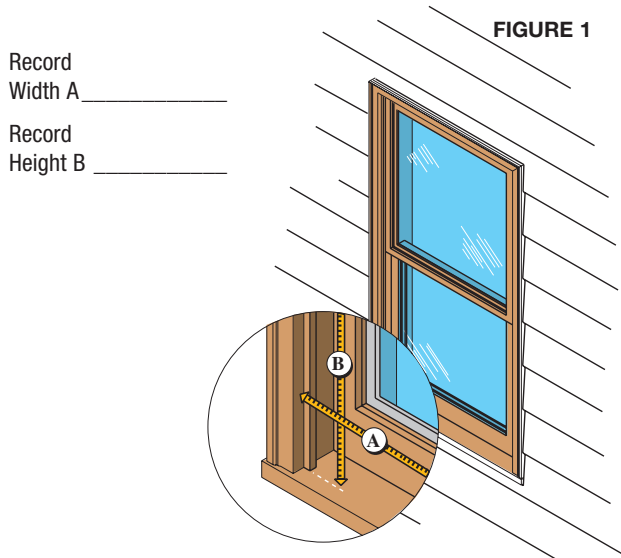


FIGURE 2: TOP VIEW

HORIZONTAL SECTION (Model L203 shown)

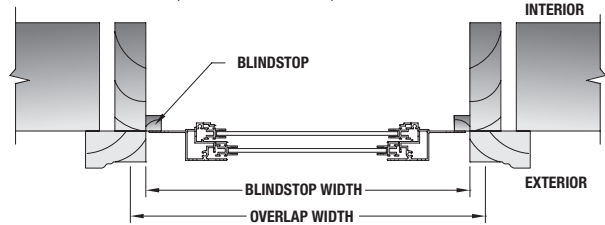
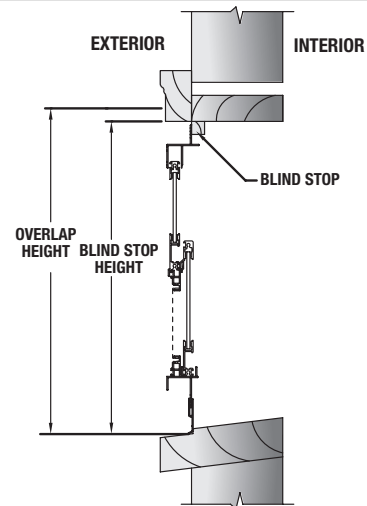


FIGURE 3: SIDE VIEW

VERTICAL SECTION (Model L203 shown)



WHEN MEASURING:

Give exact opening size (WIDTH X HEIGHT)

Measure opening width (top, center and bottom); measure opening height (right, center and left), and order using the narrowest width and shortest height (refer to Figures 2 and 3).

Oriel or Cottage type windows

To order storm windows with uneven glass inserts, measure down from top of window to center of meeting rail (Figure 4).

WHEN ORDERING:

Provide opening size and specify blindstop or overlap application; OR

Provide Exact Tip-to-Tip size and specify with or without expander (see pages 5 and 10).

- All widths and heights ordered to the 1/16" will be downsized to the nearest 1/8".
- All orders are custom and once placed cannot be cancelled.
- Please allow 3 to 4 weeks for delivery.

FIGURE 4

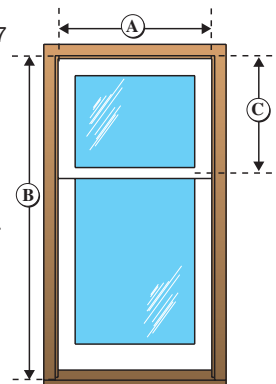
ORIEL AND COTTAGE STYLE WINDOWS

Premium Double Hung (L203, 203E): top or bottom glass must not be larger than 17 sq. ft. When ordered with full screen, the bottom sash must be smaller than the top sash.

When Ordering

- A. Opening width
- B. Opening height
- C. Measurement from top of unit to center of meeting rail (12" min)

Additional charge for Double Strength Glass when over 44". See model page for pricing.



MULLION BAR (Premium Picture Window: L503, L503E)

Center location is standard.

Specify when ordering for custom locations (12" minimum spacing):

Horizontal: from top of unit to center of bar

Vertical: from left side (as viewed from outside) to center of bar

LARSON® LIST PRICES. Upon receipt of goods ordered, please examine for proper models, sizes and colors. LARSON® will replace products if a manufacturing or shipment error is made. LARSON® will not be liable for any installation charges or any other costs incurred. Larson Manufacturing Company reserves the right to alter or discontinue any model, specifications, warranty or price without notice.

Double Hung / Picture



L203/L203E



L503/L503E

Exact with Expander: For manufacturing purposes, we round the size provided down to the nearest 1/8" in width and height, and provide an expander to achieve the overall height. Examples:

Size Ordered	Manufactured Size
28-1/8 x 47	28-1/8 x 46 + 1" Expander
28-1/4 x 47	28-1/4 x 46 + 1" Expander
28-1/16 x 47	28 x 46 + 1" Expander

Exact without Expander: For manufacturing purposes, we round the size provided down to the nearest 1/8" in width and height. Examples:

Size Ordered	Manufactured Size
28-3/4 x 46-7/8	28-3/4 x 46-7/8
28-5/8 x 46-5/8	28-5/8 x 46-5/8
28-1/16 x 46	28 x 46

OTHER TYPES OF INSTALLATION AVAILABLE:

Blindstop: For manufacturing purposes, we round the size provided down to the nearest 1/8" in width and height and then downsize the width by 1/8". An expander is provided to achieve the overall height. Fits inside opening. Examples:

Opening Size Ordered	Manufactured Size
28 x 47	27-7/8 x 46 + 1" Expander
28-1/8 x 47	28 x 46 + 1" Expander
28-1/16 x 47	27-7/8 x 46 + 1" Expander

Overlap: For manufacturing purposes, we round the size provided down to the nearest 1/8" in width and height and then upsize the width by 1" and the height by 3/4". An expander is provided to achieve the overall height. Fits outside opening. Examples:

Opening Size Ordered	Manufactured Size
28-1/8 x 47	29-1/8 x 46-3/4 + 1" Expander = 47-3/4"
28-1/4 x 47	29-1/4 x 46-3/4 + 1" Expander = 47-3/4"
28-13/16 x 47	29-3/4 x 46-3/4 + 1" Expander = 47-3/4"

Flush Mounts

Refer to Blindstop measurements.



Slider / Picture Slider



L603/L603E



L623/L623E

➡ STANDARD OPERATION

- Screen standard in operating panels
- Viewed from exterior of house
- Expander is not available

Exact without Expander: For manufacturing purposes, we round the size provided down to the nearest 1/8" in width and height. Examples:

Opening Size Ordered	Manufactured Size
29 x 29	29 x 29
29-1/8 x 29	29-1/8 x 29
29-1/2 x 29	29-1/2 x 29
29-1/16 x 29	29 x 29

Blindstop: For manufacturing purposes, we round the size provided down to the nearest 1/8" in width and height and then downsize the width and height by 1/8". Fits inside opening. Examples:

Opening Size Ordered	Manufactured Size
29 x 29	28-7/8 x 28-7/8
29-1/8 x 29	29 x 28-7/8
29-1/2 x 29	29-3/8 x 28-7/8
29-1/16 x 29	28-7/8 x 28-7/8

Overlap: For manufacturing purposes, we round the size provided down to the nearest 1/8" in width and height and then upsize the width by 1" and the height by 3/4". Fits outside opening. Examples:

Opening Size Ordered	Manufactured Size
29 x 29	30 x 29-3/4
29-1/8 x 29	30-1/8 x 29-3/4
29-1/2 x 29	30-1/2 x 29-3/4
29-1/16 x 29	30 x 29-3/4

Use ordering information on page 4 for specific measurements



Double Hung Storm Window

Premium Features

- Choice of Clear Glass (L203) or Low-E Glass (L203E)
- Pre-punched mounting holes for easy installation
- Self-storing inserts
- Adjustable sill expander for a great fit
- High performance weatherstrip on inserts and interlocking meeting rails
- Butt-jointed frame and inserts
- Wrap-around marine glazing
- All-metal finger-pull latches
- Low air infiltration rate = tight sealing window
- Fiberglass screen standard
- Optional full screen offers top and bottom ventilation; includes stabilizer bar
- Recommended for porch enclosures with sloped sills



L203
L203E Low-E

AAMA / WDMA / CSA 101 / 1.S.2 / A440-11 and AAMA 1002-11 Certified
(1/2 screen, up to 42" x 73", non flush mount application types)

APPLICATIONS:

- Exact with Expander
- Exact without Expander
- Blindstop
- Overlap
- Flush Mount

COLORS:



L203E CUTS ENERGY LOSS BY UP TO 60%*

- Warmer in the winter
- Cooler in the summer
- Protects floors and furniture from UV rays

* Results based on independent lab testing of Low-E window when applied over wood double-hung single glazed window. Actual energy savings may vary.

SIZE RANGE	L203 Clear	L203E Low-E
14 1/2" – 54" width 25 1/2" – 90" height		
40 – 75 UI		
75 1/8 – 85 UI		
85 1/8 – 95 UI		
95 1/8 – 144 UI		

UI (United Opening Inches) = width + height
See Window Requirements below

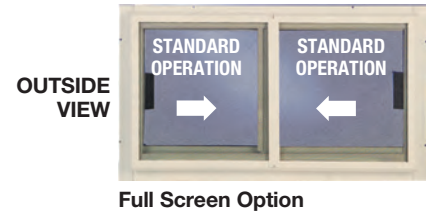
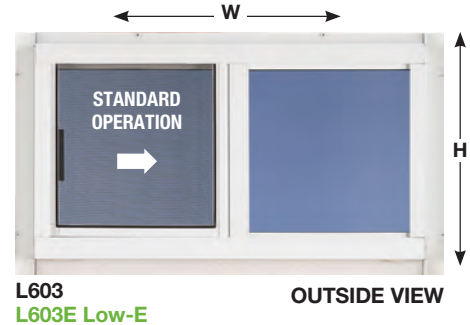
Requirements			Add per Unit	
Premium Double Hung	Double Strength Glass L203 Clear	Required when width exceeds 44" and UI is 95 or under	\$	
		Included with UI over 95 and all L203E Low-E Glass	included in base price above	
Options Premium Double Hung Specify when ordering	Flush Mount	Expander surrounds the storm window, bringing the outside surface flush with the prime window casing for a smooth appearance	\$	
	Oriel/Cottage Style	See page 4 for ordering instructions	\$	
	Aluminum Screen	Charcoal or Mill	\$	
	Double Strength Glass	Included with all L203E Low-E glass pricing	\$	
	Tempered Glass	40 – 75 UI (width + height)		\$
		75 1/8 – 85 UI		\$
		85 1/8 – 95 UI		\$
Call to confirm availability if ordered size is under 18" in width or 31" in height	95 1/8 – 144 UI		\$	
	Full Screen	Full length screen attached to the outside. Both sashes operate, allowing multiple venting options. Includes screen stabilizer bar. Not available with Flush Mount.	\$	

Use ordering information on page 4 for specific measurements
All orders are custom and once placed cannot be cancelled.

Slider Storm Window

Premium Features

- Choice of Clear Glass (L603) or Low-E Glass (L603E)
- Pre-punched mounting holes for easy installation
- High performance weatherstrip on inserts and interlocking meeting rails
- Butt-jointed frame and inserts
- Wrap-around marine glazing
- Left half screen ventilation standard (as viewed from outside)
- Fiberglass screen standard
- Optional full screen offers dual ventilation; includes stabilizer bar
- Recommended for porch enclosures with sloped sills



APPLICATIONS:

- Exact without Expander
- Blindstop
- Overlap
- Flush Mount

COLORS:



L603E CUTS ENERGY LOSS BY UP TO 60%*

- Warmer in the winter
- Cooler in the summer
- Protects floors and furniture from UV rays

* Results based on independent lab testing of Low-E window when applied over wood double-hung single glazed window. Actual energy savings may vary.

SIZE RANGE	L603 Clear	L603E Low-E
25 1/2" – 90" width 14 1/2" – 63" height		
40 – 75 UI		
75 1/8 – 85 UI		
85 1/8 – 95 UI		
95 1/8 – 148 UI		

UI (United Opening Inches) = width + height
See Window Requirements below

Add per Unit

Requirements	Size	Not available if width exceeds 74" and height exceeds 58"		
Premium Slider Window	Double Strength Glass L603 Clear	Required when height exceeds 44" and UI is 95 or under	\$	
		Included with UI over 95 and all L603E Low-E Glass pricing	included in base price above	
Options Premium Slider Window Specify when ordering	Flush Mount	Expander surrounds the storm window, bringing the outside surface flush with the prime window casing for a smooth appearance	\$	
	Aluminum Screen	Charcoal or mill; not available for full screen if ordered size is over 58" in width and height	\$	
	Double Strength Glass	Included with all L603E Low-E glass pricing	\$	
	Tempered Glass	40 – 75 UI		\$
		75 1/8 – 85 UI		\$
		85 1/8 – 95 UI		\$
		95 1/8 – 148 UI		\$
Full Screen	Full length screen attached to the outside. Both sashes operate, allowing multiple venting options. Includes screen stabilizer bar. Not available with Flush Mount.	\$		
Reverse Operation (1/2 screen only)	Right half screen ventilation as viewed from outside	\$		

Use ordering information on page 4 for specific measurements
All orders are custom and once placed cannot be cancelled.

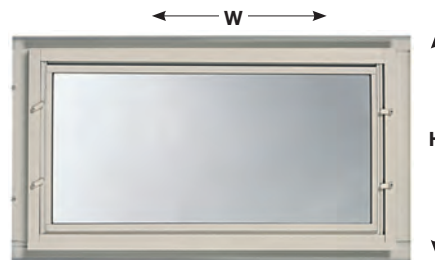
Premium SERIES EXTERIOR STORM WINDOWS



Picture Window

Premium Features

- Choice of Clear Glass (L503) or Low-E Glass (L503E)
- Pre-punched mounting holes for easy installation
- Adjustable sill expander for a great fit
- High performance weatherstrip
- Wrap-around marine glazing
- Exterior removal for easy cleaning
- Optional Fiberglass or Aluminum screen available



L503
L503E Low-E

APPLICATIONS:

- Exact with Expander
- Exact without Expander
- Blindstop
- Overlap
- Flush Mount

COLORS:



L503E CUTS ENERGY LOSS BY UP TO 60%*

- Warmer in the winter
- Cooler in the summer
- Protects floors and furniture from UV rays

* Results based on independent lab testing of Low-E window when applied over wood double-hung single glazed window. Actual energy savings may vary.

SIZE RANGE	L503 Clear	L503E Low-E
10" – 80" width 10" – 80" height		
20 – 75 UI		
75 1/8 – 85 UI		
85 1/8 – 95 UI		
95 1/8 – Maximum UI		

UI (United Opening Inches) = width + height
See Window Requirements below

Add per Unit

Requirements	Size	Not available if width exceeds 70" and height exceeds 65"	
Premium Picture Window	Mullion Bar	Vertical bar required if width exceeds 63"; Horizontal bar required if height exceeds 63" Both horizontal and vertical bars are required if width and height exceed 63" Vertical or Horizontal bar required if over 20 sq ft (width x height/144)	\$
	Double Strength Glass L503 Clear	Under 95 UI: Add to base price on any sash panel larger than 44" in width or height Included with UI over 95 and all L503E Low-E Glass pricing	\$ included in base price above
Options Premium Picture Window Specify when ordering	Flush Mount	Expander surrounds the storm window, bringing the outside surface flush with the prime window casing for a smooth appearance	\$
	Fiberglass Screen Insert		\$
	Aluminum Screen Insert	Charcoal or mill; not available if screen panel is over 58" in width and height	\$
	Mullion Bar	Single or multiple vertical or horizontal bars Custom mullion location available See page 4 for ordering instructions	\$
	Double Strength Glass	Included with all L503E Low-E Glass pricing	\$
	Tempered Glass	20 – 75 UI 75 1/8 – 85 UI 85 1/8 – 95 UI 95 1/8 – Maximum UI	\$ \$ \$ \$

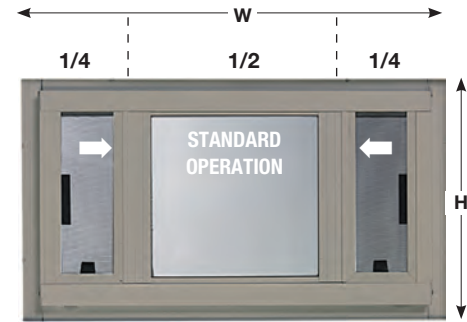
Use ordering information on page 4 for specific measurements
All orders are custom and once placed cannot be cancelled.

Picture/Slider Storm Window



Premium Features

- Choice of Clear Glass (L623) or Low-E Glass (L623E)
- Pre-punched mounting holes for easy installation
- High performance weatherstrip on inserts and interlocking meeting rails
- Butt-jointed frame and inserts
- Wrap-around marine glazing
- Screen standard behind operating panels only
- Fiberglass screen standard; optional Aluminum screen available
- Recommended for porch enclosures with sloped sills
- Standard configuration: 1/4 – 1/2 – 1/4
- Optional configuration: 1/3 – 1/3 – 1/3; specify when ordering



L623
L623E Low-E

APPLICATIONS:

- Exact without Expander
- Blindstop
- Overlap
- Flush Mount

COLORS:



L623E

CUTS ENERGY LOSS BY UP TO 60%*

- Warmer in the winter
- Cooler in the summer
- Protects floors and furniture from UV rays

* Results based on independent lab testing of Low-E window when applied over wood double-hung single glazed window. Actual energy savings may vary.

SIZE RANGE	L623 Clear	L623E Low-E
42" – 120" width 14 1/2" – 63" height		

UI (United Opening Inches) = width + height
See Window Requirements below

Add per Unit

Requirements	Configuration	Standard configuration: 1/4, 1/2, 1/4 Over 40 sq ft: automatically configured to 1/3, 1/3, 1/3	
Premium Picture/Slider Window	Double Strength Glass L623 Clear	1/4, 1/2, 1/4 Configuration: Add when ordered size exceeds 88" width or 44" height 1/3, 1/3, 1/3 Configuration: Add when ordered size exceeds 44" height	\$
		Included with all L623E Low-E Glass pricing	included in base price above
Options Premium Picture/Slider Window Specify when ordering	Flush Mount	Expander surrounds the storm window, bringing the outside surface flush with the prime window casing for a smooth appearance	\$
	Aluminum Screen Insert	Charcoal or Mill	\$
	Double Strength Glass	Included with all L623E Low-E Glass pricing	\$
	Tempered Glass	56 – 75 UI	\$
	Call to confirm availability if ordered size is under 53" in width or 18" in height	75 1/8 – 85 UI 85 1/8 – 95 UI 95 1/8 – 183 UI	\$ \$ \$

Use ordering information on page 4 for specific measurements
All orders are custom and once placed cannot be cancelled.

Premium SERIES EXTERIOR STORM WINDOWS



Performance Storm Windows

Exact with Expander

For manufacturing purposes, we round the size provided down to the nearest 1/8" in width and height, and provide an expander to achieve the overall height. Examples:

Size Ordered	Manufactured Size
28-1/8 x 47	28-1/8 x 46-1/2 + 1/2" Expander
28-1/4 x 47	28-1/4 x 46-1/2 + 1/2" Expander
28-3/8 x 47	28-3/8 x 46-1/2 + 1/2" Expander
28-13/16 x 47	28-3/4 x 46-1/2 + 1/2" Expander

Exact without Expander

For manufacturing purposes, we round the size provided down to the nearest 1/8" in width and height. Examples:

Size Ordered	Manufactured Size
28-1/8 x 47	28-1/8 x 47
28-1/4 x 47	28-1/4 x 47
28-3/8 x 47	28-3/8 x 47
28-13/16 x 47	28-3/4 x 47

Other types of applications available

Blindstop

For manufacturing purposes, we round the size provided down to the nearest 1/8" in width and height and then downsize the width by 1/8". An expander is provided to achieve the overall height. Fits inside opening. Examples:

Opening Size Ordered	Manufactured Size
28 x 47	27-7/8 x 46-1/2 + 1/2" Expander = 47"
28-1/8 x 47	28 x 46-1/2 + 1/2" Expander = 47"
28-1/4 x 47	28-1/8 x 46-1/2 + 1/2" Expander = 47"
28-1/16 x 47	27-7/8 x 46-1/2 + 1/2" Expander = 47"

Overlap

For manufacturing purposes, we round the size provided down to the nearest 1/8" in width and height and then upsize the width by 1" and the height by 3/4". An expander is provided to achieve the overall height. Fits outside opening. Examples:

Opening Size Ordered	Manufactured Size
28-1/8 x 47	29-1/8 x 47-1/4 + 1/2" Expander = 47-3/4"
28-1/4 x 47	29-1/4 x 47-1/4 + 1/2" Expander = 47-3/4"
28-3/8 x 47	29-3/8 x 47-1/4 + 1/2" Expander = 47-3/4"
28-13/16 x 47	29-3/4 x 47-1/4 + 1/2" Expander = 47-3/4"

All widths and heights ordered to the 1/16" will be downsized to the nearest 1/8".

NOTE: ALL ORDERS ARE CUSTOM AND ONCE PLACED CANNOT BE CANCELLED.
PLEASE ALLOW 3 TO 4 WEEKS FOR DELIVERY.

Double Hung Storm Window



Performance Features

- Choice of Clear Glass (L201, L301) or Low-E Glass (L201E, L301E)
- Pre-punched mounting holes for easy installation
- Adjustable sill expander for a great fit
- Wrap-around marine glazing
- Fiberglass screen
- Self-storing inserts for easy opening and closing
 - 2-Track Models (L201, L201E) include half screen for bottom ventilation
 - 3-Track Models (L301, L301E) include half screen on inside track for top or bottom ventilation

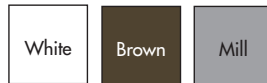


L201, L301
L201E, L301E Low-E

APPLICATIONS:

- Exact with Expander
- Exact without Expander
- Blindstop
- Overlap

COLORS:



L201E, L301E CUTS ENERGY LOSS BY UP TO 60%*

- Warmer in the winter
- Cooler in the summer
- Protects floors and furniture from UV rays

* Results based on independent lab testing of Low-E window when applied over wood double-hung single glazed window. Actual energy savings may vary.

2-Track Double Hung	SIZE RANGE 14 1/2" – 44" width 25 1/2" – 75" height	L201 Clear	L201E Low-E
	40 – 75 UI		
	75 1/8 – 85 UI		
	85 1/8 – Maximum UI		

3-Track Double Hung	SIZE RANGE 14 1/2" – 44" width 25 1/2" – 75" height	L301 Clear	L301E Low-E
	40 – 75 UI		
	75 1/8 – 85 UI		
	85 1/8 – Maximum UI		

UI (United Opening Inches) = width + height
See Window Requirements below

Requirements Performance Double Hung	Size	Maximum window size : 20 sf (width x height/144) See Premium Double Hung for larger sizes
--	------	--

Use ordering information on page 4 for specific measurements
All orders are custom and once placed cannot be cancelled.

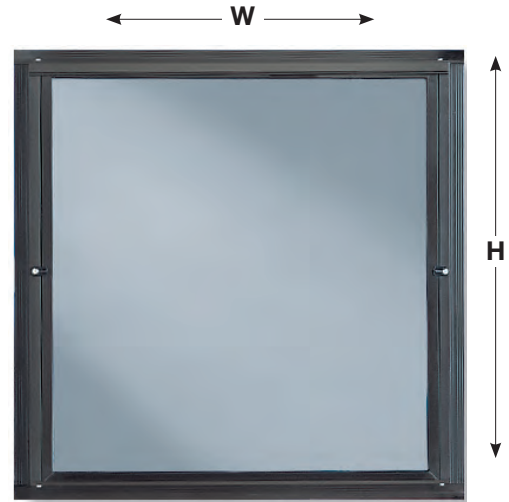
Performance SERIES EXTERIOR STORM WINDOWS



Picture Window

Performance Features

- Choice of Clear Glass (L501) or Low-E Glass (L501E)
- Pre-punched mounting holes for easy installation
- Wrap-around marine glazing
- Exterior sash removal for easy cleaning
- No screen available



L501
L501E Low-E

APPLICATIONS:

- Exact with Expander
- Exact without Expander
- Blindstop
- Overlap

COLORS:



L501E

CUTS ENERGY LOSS BY UP TO 60%*

- Warmer in the winter
- Cooler in the summer
- Protects floors and furniture from UV rays

* Results based on independent lab testing of Low-E window when applied over wood double-hung single glazed window. Actual energy savings may vary.

SIZE RANGE	L501 Clear	L501E Low-E
10" – 70" width 10" – 80" height		
20 – 75 UI		
75 1/8 – 85 UI		
85 1/8 – Maximum UI		

UI (United Opening Inches) = width + height
See Window Requirements below

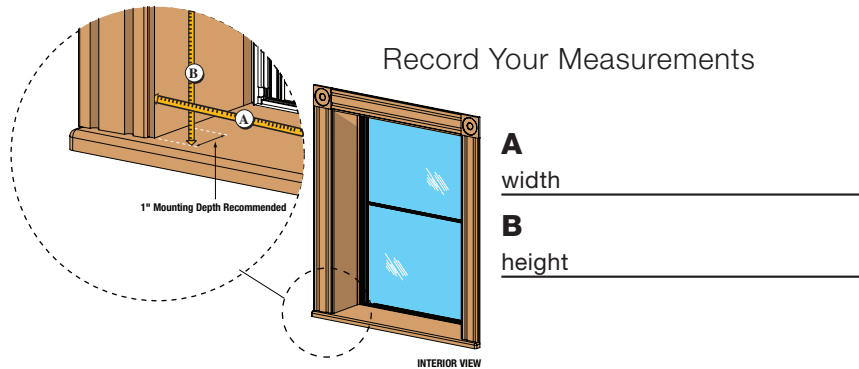
Add per Unit

Requirements	Size	Maximum window size : 20 sf (width x height/144) See Premium Picture Windows for larger sizes	
Premium Picture Window	Mullion Bar	Vertical bar required if width exceeds 61"; Horizontal bar required if height exceeds 61" Vertical or Horizontal bar required if over 15 sq ft (width x height/144)	\$
	Double Strength Glass	L501 Clear: Required on any panel sash size over 44" L501E Low-E all sizes	included in base price above

Use ordering information on page 4 for specific measurements
All orders are custom and once placed cannot be cancelled.

Measuring Guide

Interior storm windows are custom built to ensure a tight fit. Sizes are determined by measuring your existing window opening as shown.



When Measuring

- Measure opening width at three locations (top, center, middle)
- Measure opening height at three locations (right, center, left)
- Round the narrowest width and the shortest height down to the nearest 1/16" and provide these dimensions when ordering

When Ordering

- All orders are custom and once placed cannot be cancelled.
- Please allow 3 weeks for delivery

Interior Commercial Storm Window I900C

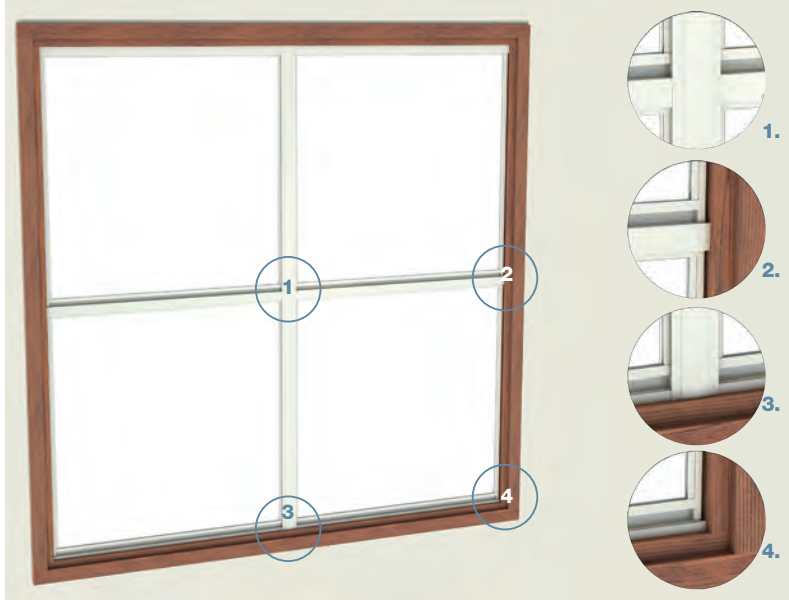
Recommended installation depth is 1 1/4" without mullion bars and 1 5/8" with mullion bars. Some cutting during installation is required. Maximum tolerance for out of square opening is 3/8".

Interior Storm Window I900 / I900E

Recommended installation depth is 1-in. No cutting required. Maximum tolerance for out of square opening is 1/8".



INTERIOR COMMERCIAL STORM WINDOW



Historical Commercial Residential Municipal

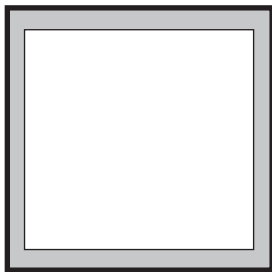
- Mounts inside residential or commercial buildings – ideal for large openings
- Reduces drafts and outside noise
- Improves U-factor for greater energy efficiency – up to 62% Low-E; 48% clear
- Custom made with 3/16" glass
- Tested to meet AAMA Certification Standards*



* Tested to meet the uniform load structural test requirements of AAMA/WDMA/CSA 101/I.S.2 A440-11 Performance Level 15.

Sash Type:

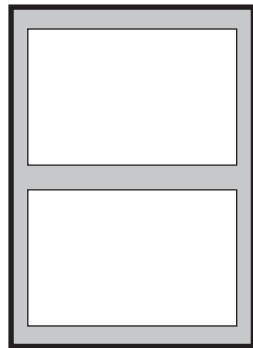
NOTE: Sashes over 16 sq. ft. will automatically be built with tempered glass



Single Sash

WIDTH: 10" min. – 96" max
HEIGHT: 10" min. – 96" max

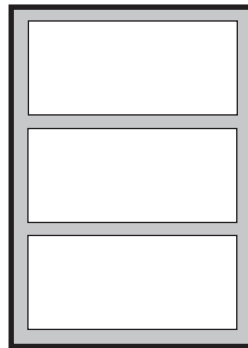
23 sq. ft. max



Double Sash – Vertical

WIDTH: 10" min. – 74" max
HEIGHT: 20" min. – 192" max

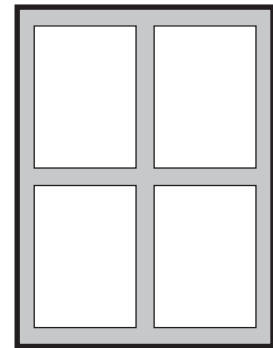
23 sq. ft. max/per sash



Triple Sash – Vertical

WIDTH: 10" min. – 74" max
HEIGHT: 30" min. – 288" max

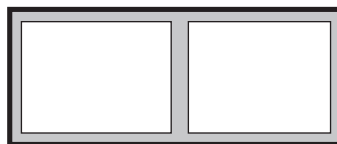
23 sq. ft. max/per sash



Quad Sash

WIDTH: 20" min. – 96" max
HEIGHT: 20" min. – 96" max

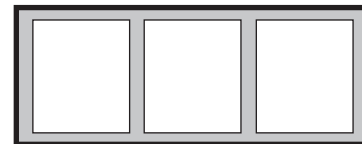
16 sq. ft. max/per sash



Double Sash – Horizontal

WIDTH: 20" min. – 192" max
HEIGHT: 10" min. – 96" max

23 sq. ft. max/per sash



Triple Sash – Horizontal

WIDTH: 30" min. – 288" max
HEIGHT: 10" min. – 96" max

23 sq. ft. max/per sash

sq. ft. = (width x height/144)



COMMERCIAL inSIDER OPTIONS

- Low-E Glass
- Clear Glass
- Tempered Glass
- Low-E Tempered Glass
- Insect Screen

**1900C CALL FOR QUOTES
1-800-334-1328**

All orders are custom and once placed cannot be cancelled.



Cuts Energy Loss from the inside out
up to **50%** improvement instantly*

The insider™ Advantage

- Reduces drafts by up to 48%
- Significantly reduces outside noise
- Improves U-factor of your existing window by up to 50%
- Just one tool required for installation
- Easily removes for cleaning
- Custom made to fit most openings



* Results based on independent lab testing when applied over wood double-hung single glazed window. Actual energy savings may vary.

Fits these common applications



- Casement
- Picture



- Double Hung



- Slider
- Basement



INSIDER KIT:

- Top mounting channel
- Side channels (2)
- Installation screws
- Thermal window panel

SIZE RANGE 10" – 80" width 10" – 80" height 23 sq. ft. max size	I900	I900E
	Clear	Low-E
	20 – 95 UI (1/8" Glass)	
	95 1/8 – 110 UI (3/16" Glass)	
110 1/8 – Max UI (3/16" Tempered Glass)		

UI (United Opening Inches) = width + height
sq. ft. = (width x height/144)

For larger sizes, see the Commercial Grade insider (I900C)

Certain applications may require tempered glass. Refer to local building codes.

		Add per Unit	
Options insider Interior Window Specify when ordering	Tempered Glass	20 – 75 UI	\$
		75 1/8 – 85 UI	\$
	Call to confirm availability if ordered size is under 15" in width or height	85 1/8 – 95 UI	\$
		95 1/8 – Maximum UI	\$

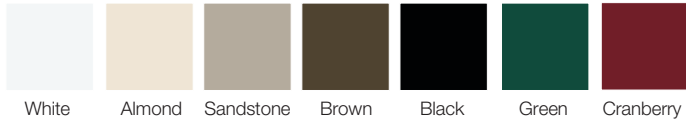
Use ordering information on page 13 for specific measurements
All orders are custom and once placed cannot be cancelled.



Decorative Side-Lite Storm Panel

Decorative Molding SIDE-LITE STORM PANEL Model L705

- Low-E or clear glass
- Window panel is stationary, removable from the outside by removing the screw cap covers and mounting screws
- Overlap mount

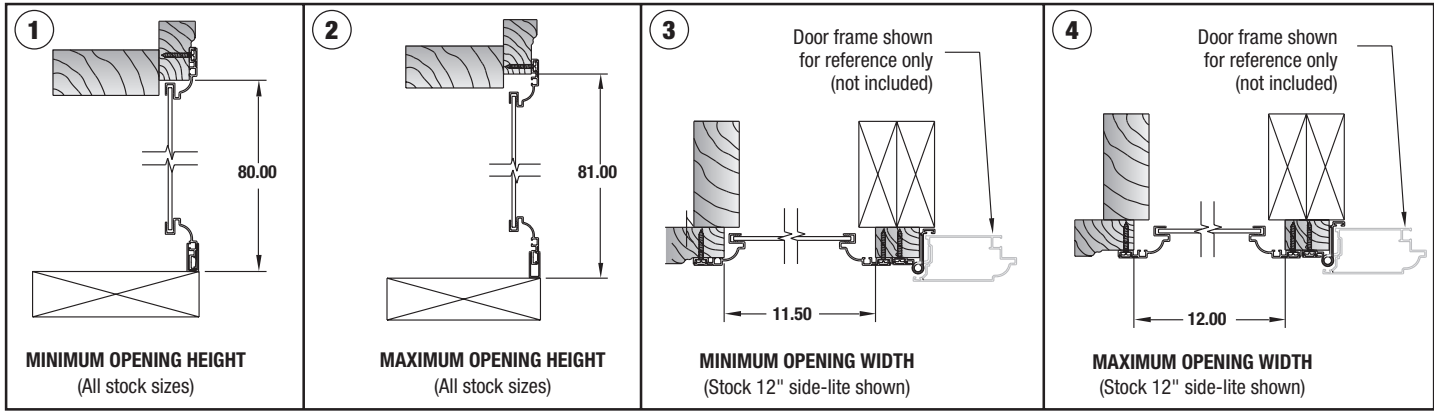


**CUTS ENERGY LOSS
BY UP TO 60%***

- Warmer in the winter
- Cooler in the summer
- Protects floors and furniture from UV rays

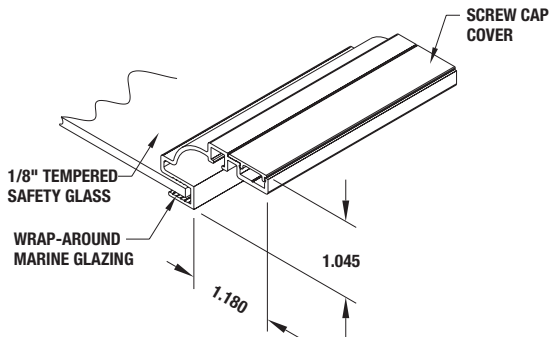
STANDARD SIZES	FITS OPENING SIZE:		L705
	WIDTH	HEIGHT	
12" W x 81" H	11 1/2" - 12"	80" - 81"	Clear Tempered
14" W x 81" H	13 1/2" - 14"		Low-E Tempered

* Results based on independent lab testing of Low-E window when applied over wood double-hung single glazed window. Actual energy savings may vary.



CUSTOM SIZES

- Specify opening size when ordering
- Custom sizes are manufactured to fit opening size specified when ordered.
- All sizes will be manufactured using the following formula to allow for overlap: Opening width + 1" = manufactured size
Opening height + 1" = tip to tip



PRICE FORMULA - TEMPERED CLEAR

SIZE RANGES

$$7" \text{ to } 30" \text{ (w)} \quad \$ \quad + (\text{ } \text{ sq. ft.} \times \$ \text{ }) = \text{ LIST}$$

$$24" \text{ to } 97" \text{ (h)} \quad \text{tempered glass price}$$

PRICE FORMULA - TEMPERED LOW-E

SIZE RANGES

$$7" \text{ to } 30" \text{ (w)} \quad \$ \quad + (\text{ } \text{ sq. ft.} \times \$ \text{ }) = \text{ LIST}$$

$$24" \text{ to } 97" \text{ (h)} \quad \text{tempered glass price}$$

EXAMPLE CUSTOM OPENING 12" x 96" (clear glass)	12" width x 96" height ÷ 144 = 8 sq. ft.
	PRICE FORMULA Standard Price + (8 sq. ft. x \$) =
	TOTAL:

PLEASE ALLOW 3 TO 4 WEEKS FOR DELIVERY.
ALL ORDERS ARE CUSTOM AND ONCE PLACED CANNOT BE CANCELLED.

Side-Lite Storm Panel



SIDE-LITE STORM PANEL Model L703

- Tempered glass
- Window panel is stationary, removable from the outside by removing mounting screws.



STANDARD SIZES	L703
11-7/8" W x 81"*H	
13-7/8" W x 81"*H	

*81" includes 1" expander

CUSTOM SIZES

- Specify opening size when ordering
- Custom Sizes are manufactured exact tip to tip size as ordered. Expander included for additional height if needed.

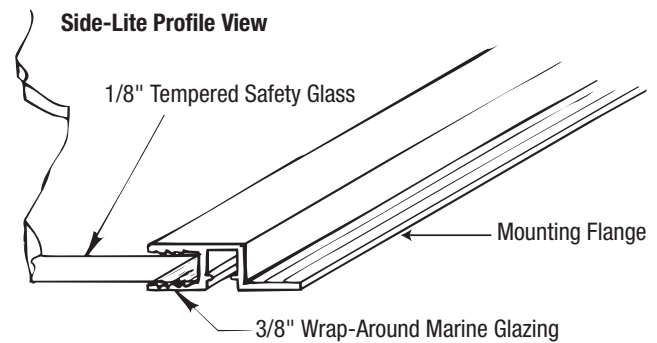


PRICE FORMULA

SIZE RANGES

7" to 30" (w) \$ + (___ sq. ft.* x \$) = LIST
24" to 97" (h)

EXAMPLE CUSTOM OPENING 12" x 96"	12" width x 96" height ÷ 144 = 8 sq. ft.
	PRICE FORMULA
	Standard Price
	+ (8 sq. ft. x \$) _____
	TOTAL:



**PLEASE ALLOW 4 TO 6 WEEKS FOR DELIVERY.
ALL ORDERS ARE CUSTOM AND ONCE PLACED CANNOT BE CANCELLED.**

For Miscellaneous Replacement Parts call: **1-800-334-1328**



WARRANTY DETAIL

Applies to original purchaser of window only; covers manufacturer's defects only.

Premium Series insider Interior Windows L705 Sidelite	Limited Lifetime Warranty
Performance Series L703 Sidelite	10-Year Warranty

1. As an expressed condition of this warranty, it is required that the window has not been altered in any way.
2. The COMPANY will repair or furnish a new window at no charge to the original owner, for any manufacturing defects excluding glass breakage and screen damage for the period shown above.
3. The paint is warranted not to blister, crackle or peel during the first 20 years for Premium and insider™ windows; five years for Performance windows and Sidelites.
4. In order to obtain performance under this limited warranty, the original owner shall notify authorized dealer with proof of purchase.
5. The COMPANY will perform the obligations under this limited warranty during the normal working hours of its dealers and distributors.
6. The obligations under this warranty will be completed within ninety (90) days after notice of a defect or malfunction has been furnished directly to the COMPANY.

<p>For warranty or manufacturing defects please call: 1-888-483-3768</p>	<p>The following information is necessary to process your warranty:</p> <ol style="list-style-type: none"> 1. Model, Color, Size 2. Proof of Purchase
---	---

Upon receipt of goods ordered, please examine for proper models, sizes and colors. LARSON® will replace products if a manufacturing or shipment error is made. LARSON will not be liable for any installation charges or any other costs incurred.

© Copyright Larson Manufacturing Company